

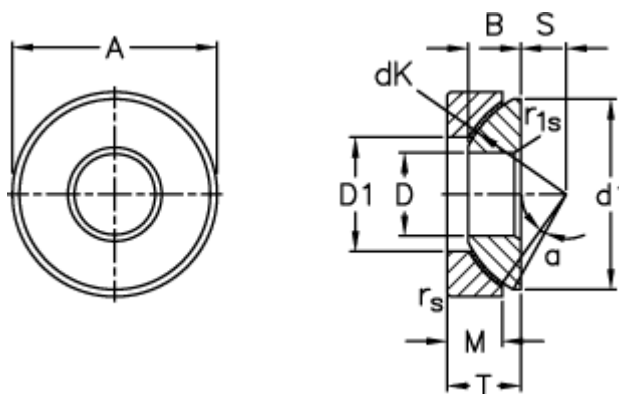
# Data Sheet



Article number: 03512120

Description: Fluro Rod end GE 120AW

## Measures



A	= 230 0 -0,030	rs, r1s min	= 1.1
B	= 53.5	S	= 52.5
D	= 120 0 -0,020	Static axial load C0 (kN)	= 5000
d1 max	= 220	T	= 64 +0,25 -0,60
D1 min	= 145	Tilt angle	= 3
dK	= 250	Weight	= 13900
Dynamic axial load C (kN)	= 2500		
M	= 50		